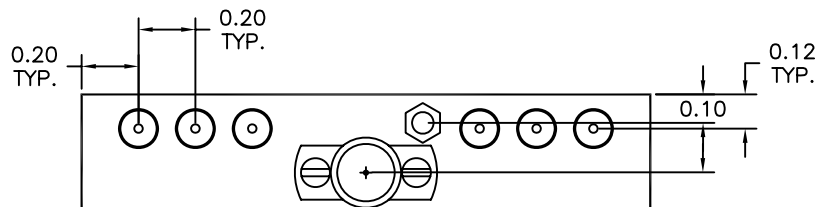
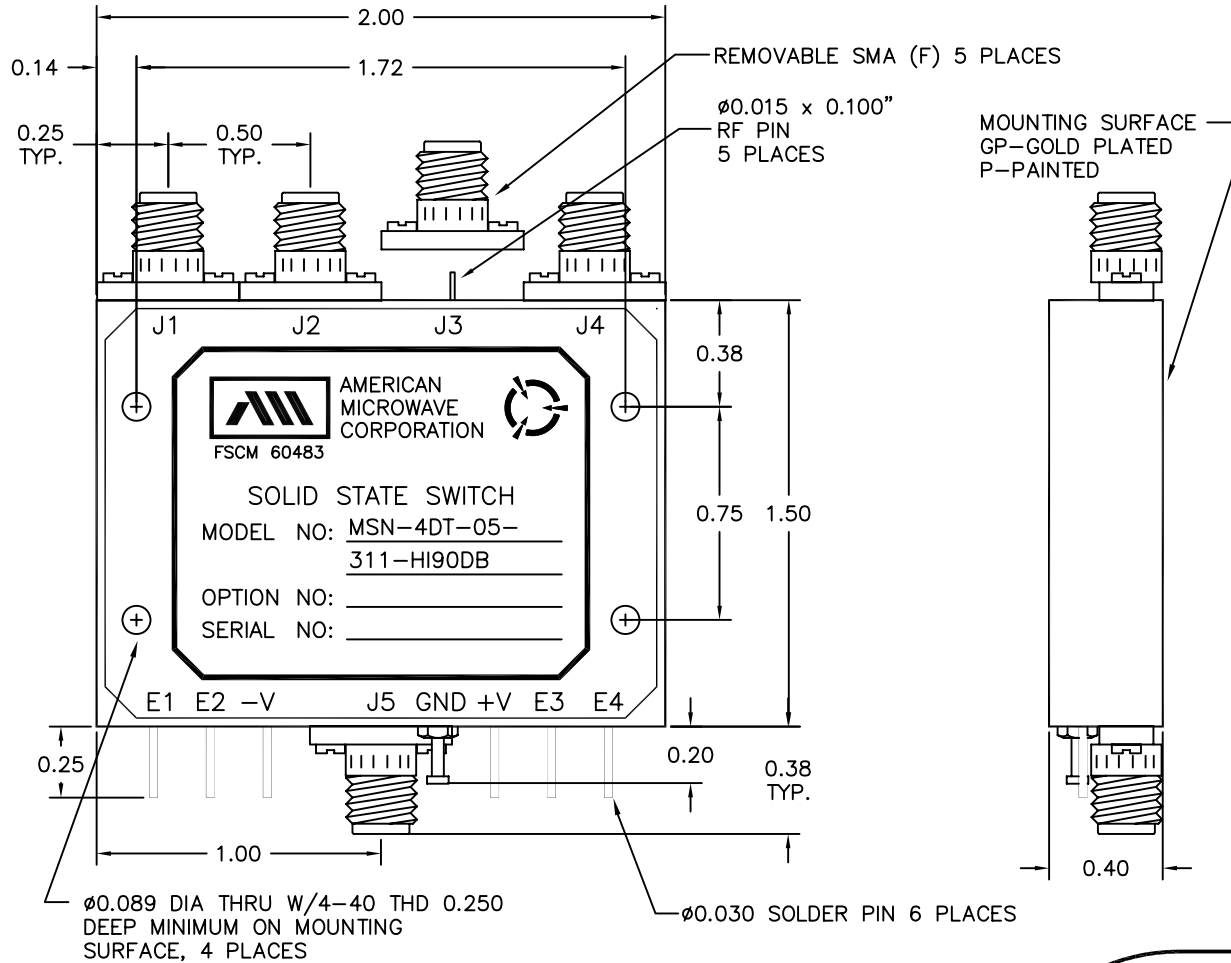


# DESCRIPTION

AMC MODEL MSN-4DT-05-311-HI90DB IS AN ABSORPTIVE/NON-REFLECTIVE SINGLE POLE FOUR THROW SWITCH DESIGNED TO OPERATE BETWEEN THE 3 TO 11 GHz FREQUENCY RANGE WITH LOW INSERTION LOSS AND HIGH ISOLATION.

REVISIONS				
ZONE	REV.	DESCRIPTION	DATE	APPROVED
	-	ORIGINAL RELEASE JOB# 410260	3/7/05	



ALL DIMENSIONS ARE IN INCHES  
TOLERANCES:  
X.XX ±0.020  
X.XXX ±0.010

## AMERICAN MICROWAVE CORPORATION

7311-G GROVE ROAD  
FREDERICK, MARYLAND 21704 USA  
TEL: 301-662-4700 FAX: 301-662-4938  
WEBSITE: [www.americanmicrowavecorp.com](http://www.americanmicrowavecorp.com)  
E-MAIL: [sales@americanmicrowavecorp.com](mailto:sales@americanmicrowavecorp.com)  
ISO 9001:2000 CERTIFIED



APPROVALS		DATE	TITLE		
DRAWN <i>DDJ</i>		3/7/05	MECHANICAL OUTLINE		
CHECKED <i>RA</i>		07/31/06	MSN-4DT-05-311-HI90DB		
ISSUED			3 - 11 GHz, SINGLE POLE FOUR THROW SWITCH		
SIZE	FSCM NO.	DWG NO.	REV.		
A	60483	100-7377	-		
SCALE N:S		SHEET		2 OF 4	

## DESCRIPTION

AMC MODEL MSN-4DT-05-311-HI90DB IS AN ABSORPTIVE/NON-REFLECTIVE SINGLE POLE FOUR THROW SWITCH DESIGNED TO OPERATE BETWEEN THE 3 TO 11 GHz FREQUENCY RANGE WITH LOW INSERTION LOSS AND HIGH ISOLATION.

## SPECIFICATIONS

- FREQUENCY RANGE: ..... 3 TO 11 GHz
- INSERTION LOSS: ..... 4 dB MAXIMUM
- ISOLATION: ..... 90 dB MINIMUM
- VSWR (ON/OFF): ..... 2.0:1
- RISE TIME: ..... 10 nSec TYPICAL, 15 nSec MAXIMUM
- FALL TIME: ..... 10 nSec TYPICAL, 15 nSec MAXIMUM
- DELAY ON: ..... 75 nSec TYPICAL, 100 nSec MAXIMUM
- DELAY OFF: ..... 75 nSec TYPICAL, 100 nSec MAXIMUM
- POWER INPUT: ..... (CW)+20 dBm (STANDARD), +10 dBm (HIGH SPEED)
- SURVIVAL POWER: ..... 1 WATT CW, 10 WATTS PEAK 1 uSec
- CONTROL: ..... TTL LOGIC "0" = ON  
TTL LOGIC "1" = OFF
- POWER SUPPLY: ..... +5V @ 200 mA MAXIMUM  
-5V @ 100 mA MAXIMUM
- CONNECTORS:  
RF: ..... SMA FEMALE  
CONTROL: ..... SOLDER PIN
- SIZE: ..... 2.00" (L) x 1.50" (W) x 0.40" (H)

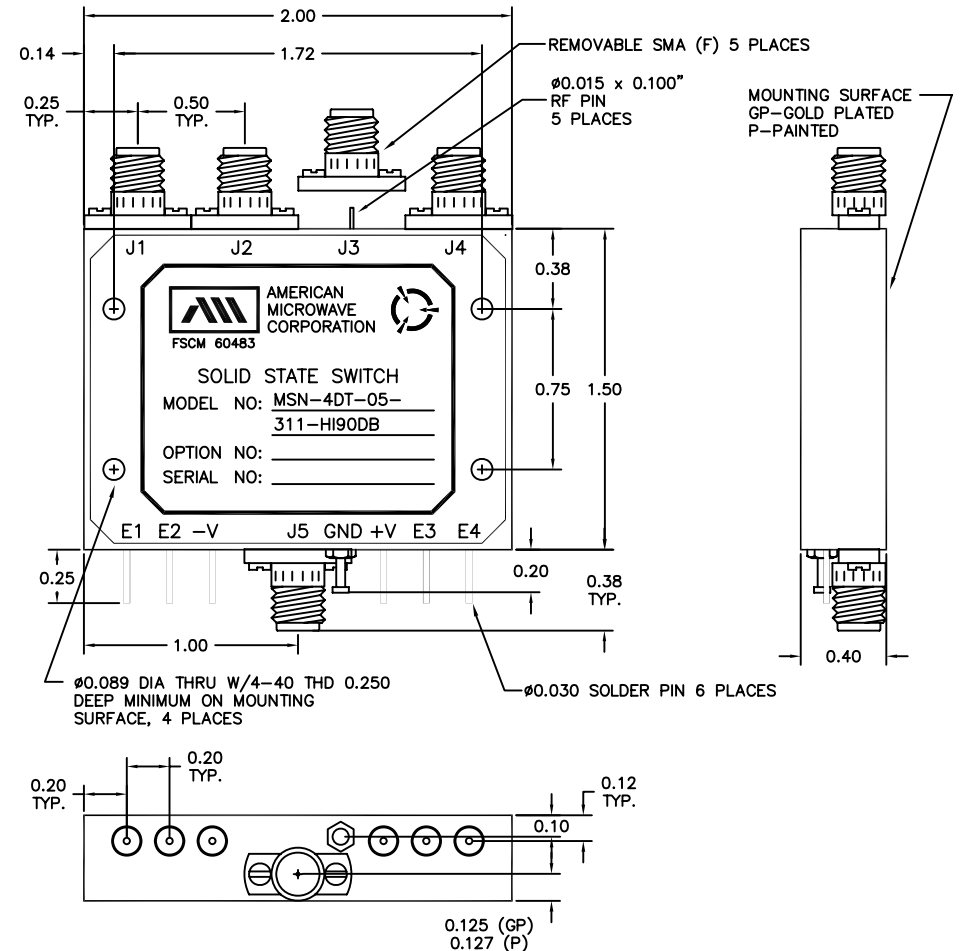
## ENVIRONMENTAL RATINGS:

- TEMPERATURE: ..... -55°C TO +85°C (OPERATING)  
-65°C TO +125°C (STORAGE)
- HUMIDITY: ..... MIL-STD-202F, METHOD 103B COND. B
- SHOCK: ..... MIL-STD-202F, METHOD 213B COND. B
- VIBRATION: ..... MIL-STD-202F, METHOD 204D COND. B
- ALTITUDE: ..... MIL-STD-202F, METHOD 105C COND. B
- TEMPERATURE CYCLE: ..... MIL-STD-202F, METHOD 107D COND. A

NOTE: SPECIFICATIONS WILL VARY OVER OPERATING TEMPERATURE  
NOTE: THE ABOVE SPECIFICATIONS ARE SUBJECT TO CHANGE OR REVISION

ALL DIMENSIONS ARE IN INCHES  
TOLERANCES:  
X.XX ±0.020  
X.XXX ±0.010

REVISIONS				
ZONE	REV.	DESCRIPTION	DATE	APPROVED
	-	ORIGINAL RELEASE JOB# 410260	3/7/05	



## AMERICAN MICROWAVE CORPORATION

7311-G GROVE ROAD  
FREDERICK, MARYLAND 21704 USA  
TEL: 301-662-4700 FAX: 301-662-4938  
WEBSITE: [www.americanmicrowavecorp.com](http://www.americanmicrowavecorp.com)  
E-MAIL: [sales@americanmicrowavecorp.com](mailto:sales@americanmicrowavecorp.com)  
ISO 9001:2000 CERTIFIED



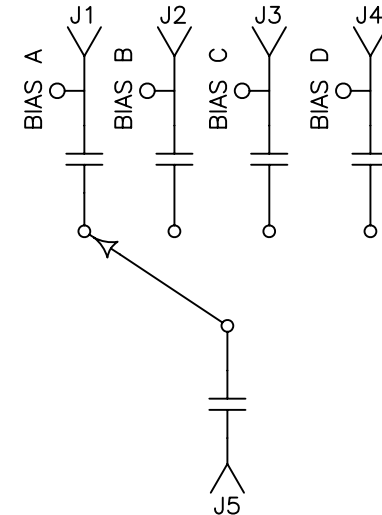
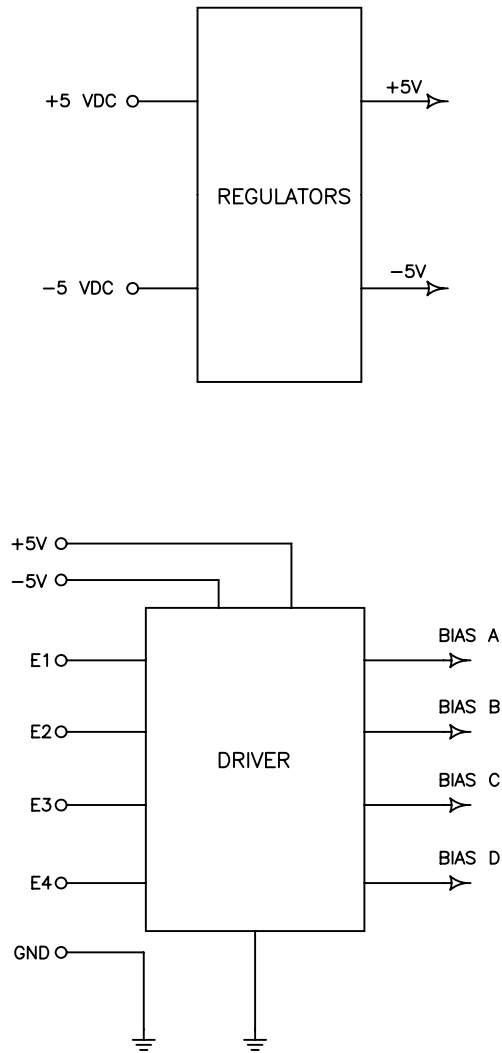
APPROVALS		DATE	TITLE		
DRAWN <i>JDJ</i>		3/7/05	PRODUCT FEATURE		
CHECKED <i>RA</i>		07/31/06	MSN-4DT-05-311-HI90DB		
ISSUED			SIZE	FSCM NO.	DWG NO.
			A	60483	100-7377
			SCALE	N:S	SHEET 1 OF 4

# DESCRIPTION

AMC MODEL MSN-4DT-05-311-HI90DB IS AN ABSORPTIVE/NON-REFLECTIVE SINGLE POLE FOUR THROW SWITCH DESIGNED TO OPERATE BETWEEN THE 3 TO 11 GHz FREQUENCY RANGE WITH LOW INSERTION LOSS AND HIGH ISOLATION.

REVISIONS				
ZONE	REV.	DESCRIPTION	DATE	APPROVED
	-	ORIGINAL RELEASE JOB# 410260	3/7/05	

## FUNCTIONAL BLOCK DIAGRAM



**CONFIDENTIAL AND PROPRIETARY**

### AMERICAN MICROWAVE CORPORATION

7311-G GROVE ROAD  
 FREDERICK, MARYLAND 21704 USA  
 TEL: 301-662-4700 FAX: 301-662-4938  
 WEBSITE: [www.americanmicrowavecorp.com](http://www.americanmicrowavecorp.com)  
 E-MAIL: [sales@americanmicrowavecorp.com](mailto:sales@americanmicrowavecorp.com)  
 ISO 9001:2000 CERTIFIED



APPROVALS		DATE	TITLE		
DRAWN <i>JDJ</i>		3/7/05	FUNCTIONAL BLOCK DIAGRAM		
CHECKED <i>RA</i>		07/31/06	MSN-4DT-05-311-HI90DB		
ISSUED			3 - 11 GHz, SINGLE POLE FOUR THROW SWITCH		
SIZE	FSCM NO.	DWG NO.	REV.		
A	60483	100-7377	-		
SCALE N:S			SHEET 3 OF 4		